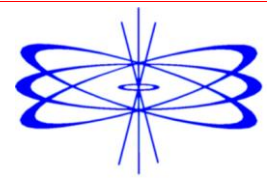
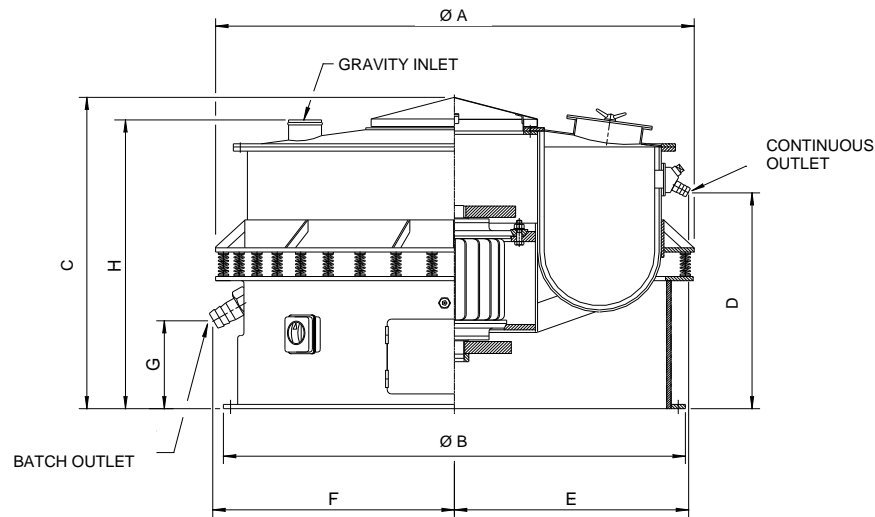


BOULTON



Vibro-Energy[®] New Range

High Amplitude Dry Fine Grinding & Blending Mills Pharmaceutical Range



PRINCIPLE OF OPERATION

The charge of grinding media and process material is subjected to a high amplitude vibratory spiral, tumbling action at 16 or 19 cycles per second. Maximum vertical amplitude of vibration is 10 mm. With high density ½ inch/12 mm or ¾ inch/20 mm size, cylindrical shape, sintered ceramic grinding media, the maximum product capacity is 26% - 30% of the working volume.

CONSTRUCTION

The grinding chamber is manufactured entirely in stainless steel AISI 316L, continuously welded and stress relieved. The wearing surfaces are lined with cast polyurethane elastomer and polyethylene at hardness 85-90 Shore "A". All product contact materials are FDA approved. Suitable for any 3 phase, 50 or 60 Hz supply.

Model Reference	Working Volume at media S.G. 3.5 (Litres)	Max. Charge Weight (kg)	Max. Centrifugal Force (Newtons)	Vibro Power Generator (kW)	Dimensions (mm)							
					A	B	C	D	E	F	G	H
Laboratory Mill	8	20	2200	0.51	305	305	615	-	-	355	380	-
MG-1	28	77	5240	0.51	585	430	735	-	-	225	300	700
MG-2	55	150	9455	0.90	765	460	760	-	-	385	350	750
MG-3	95	260	15500	1.80	765	460	810	-	-	385	350	800
MG-5	142	550	30000	4.00	1320	1320	1170	810	610	660	560	1140
MG-10	285	780	49000	4.00	1320	1320	1170	840	610	660	430	1140
MG-20	565	1350	73575	4.00	1320	1320	1320	1015	610	660	380	1280
MG-30	750	2200	103000	6.20	2200	2130	1880	1825	1070	1065	790	1825

We reserve the right to amend specifications in line with our policy of continued technological development and product improvement.